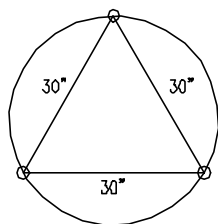
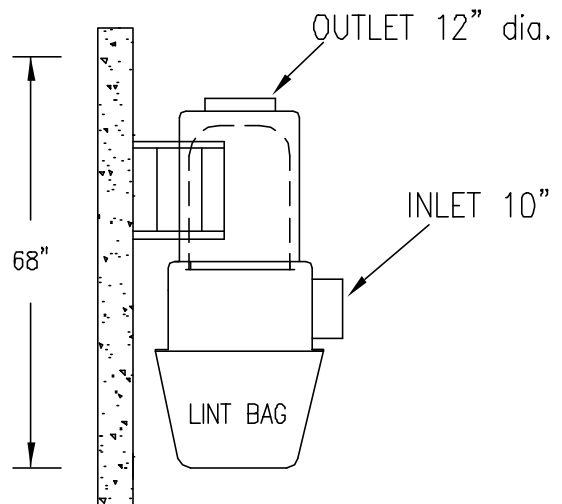
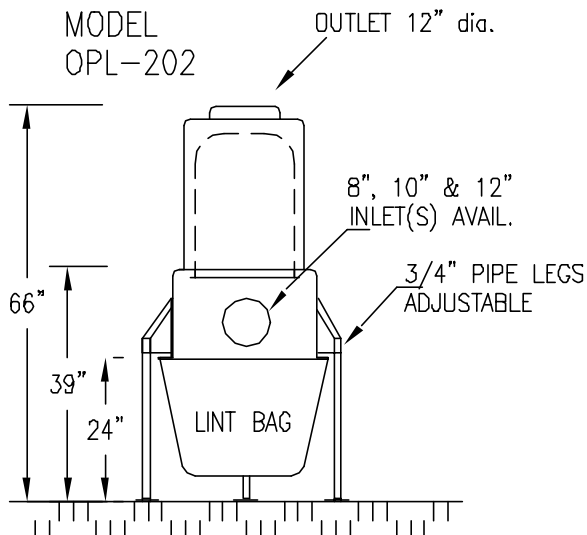
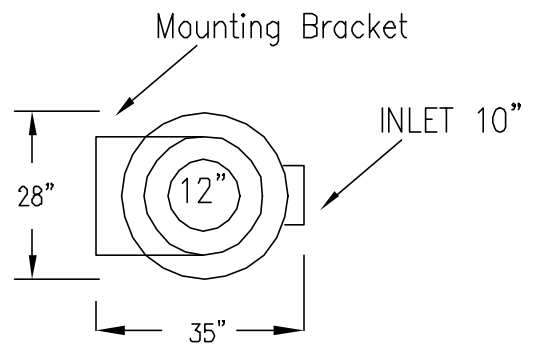
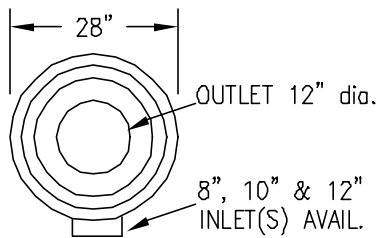


The Small Wonder OPL-202

OPL-202

MAXIMUM CFM
SCREEN AREA
WEIGHT:

1800 CFM
9 SQ.FT.
60 LBS



WALL MOUNTING INSTRUCTIONS:

- 1) REMOVE MOUNTING BRACKET FROM FILTER
- 2) MOUNT BRACKET TO WALL
- 3) RE-INSTALL FILTER TO MOUNTING BRACKET

LINT FILTER-ASSEMBLY-INSTALLATION MODEL OPL-202

CLEAN CYCLE SYSTEMS
A DIVISION OF TECNI-QUIP, INC.
960 CROSSROADS BLVD.
830-401-4400

DRAWN BY MTR
SCALE
DRAWING NO. cc202-2