

# OPL-200/300 SERIES

OPL= On Premise Laundry

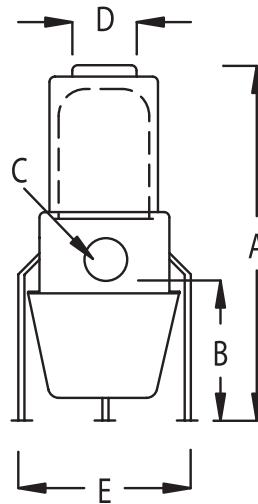
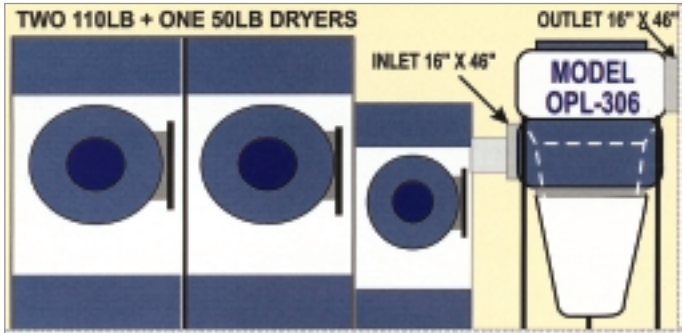
∅ H<sub>2</sub>O    ∅ COMPRESSED AIR

**Ideal for smaller properties where 1 or more OPL dryers are found; Hotels, Long Term Care, Dorms, Sports Clubs, Coin-Ops, etc.**

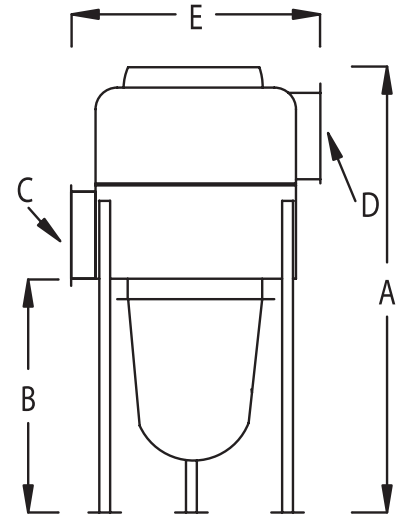
- STANDARD with ALERT SYSTEM indicates unit needs cleaning
- Eliminates need for compressed air or water
- Four times more efficient than standard internal dryer screens
- Catches 98% of the lint that passes through internal dryer screens
- Compact, lightweight, easy to install  
Floor, wall or ceiling mounted
- NO moving parts to wear and repair
- Meets Clean Air Regulations
- Reduces fire hazards
- Reduces cleanup & maintenance time
- Stops "Snow in July" Syndrome  
(i.e. lint covered lawns or patios and clogged HVAC systems)



SMALL WONDER SERIES



OPL- 200 SERIES



OPL- 300 SERIES

## SMALL WONDER 200/300

MODEL	OPL-201	OPL-202	OPL-203	OPL-303	OPL-305	OPL-306	OPL-308	OPL-310
CFM*	1000	1800	2500	3000	5000	6000	8000	10000
SCREEN+	6	9	12	16	24	35	44	52
A	50	66	75	82	96	92	104	116
B	16	26	26	44.5	44.5	45	45	45
C	4 to 8	8 to 12	14 x 26	14.5 x 36	14.5 x 36	18 x 46	18 x 46	18 x 46
D	8	12	14	14.5 x 36	14.5 x 36	18 x 46	18 x 46	18 x 46
E	27	32	36	45	45	56	56	56

\* MAXIMUM CFM RATING. RECOMMEND OVSIZING FILTER MODEL 10-20% OVER TOTAL DRYER EXHAUST CFM.  
+ FIGURES REPRESENT SCREEN AREA IN SQ. FT.  
ALL DIMENSIONS NOTED ARE IN INCHES