

We Set the Standard in **SLIMLINE** Filters

SYSTEM 700

WLF Series= Wet Lint Filter

FIBERGLASS OR STAINLESS

INSTALLS IN THE SAME SPACE AS SYSTEM 500 DRY MODELS

Compact with Self-contained Water System

- Designed for 100% of lint removal
- Safe for volatile exhaust transmissions
- Reduces heat, smoke, odors and exhaust temperatures
- Choice of Fiberglass or Stainless

CUSTOMER ADVANTAGES:

- Smaller installation space
- NO LEAK construction
- Spray Systems is made of: Bronze/Copper/Stainless
- Large access door for cleaning
- Double lint bags, filters more lint
- Stainless Steel/fiberglass water reservoir (no rust) located within perimeter of filter

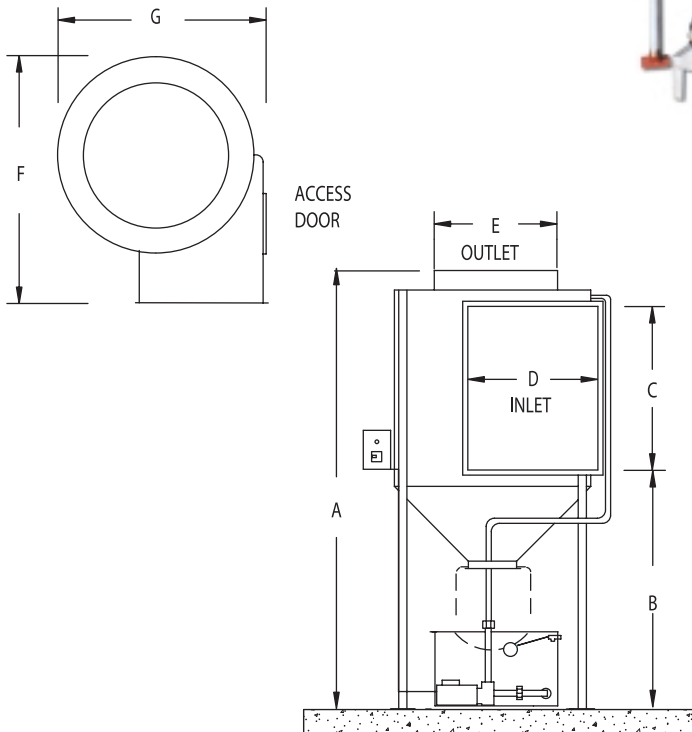
THE INDUSTRY'S FIRST CONVERTIBLE LINE OF WET TO DRY-DRY TO WET LINT FILTERS



STAINLESS STEEL



FIBERGLASS



SYSTEM 700				
	WLF-706	WLF-715	WLF-725	WLF-735
CFM*	6,000	15,000	25,000	35,000
A	93	108	122	122
B	54	59	65	63
C	30	40	42	50
D	20	30	42	50
E	24	30	42	48
F	58	68	104	104
G	41	51	84	84

ALL DIMENSIONS NOTED ARE IN INCHES
 * MAXIMUM CFM RATING. RECOMMEND OVERSIZING FILTER MODEL 10-20% OVER TOTAL DRYER EXHAUST CFM.
 CONSULT FACTORY FOR DIMENSIONS OF OPTIONAL EQUIPMENT.