

PASS THRU COVERS & DOUBLE COVER SYSTEM

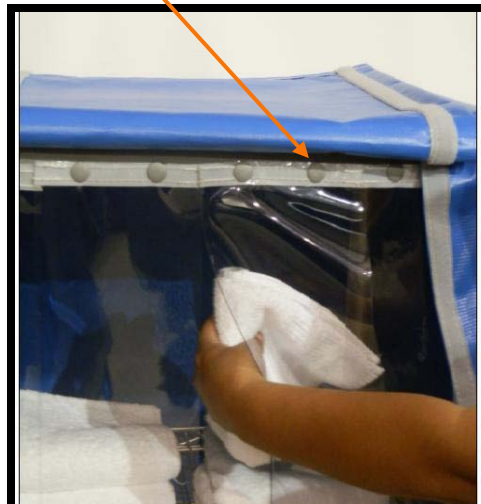
We perfected the idea!

- **Drape Cover Styles** for any Brand or Size of Cart
- Available on **New TECNI-QUIP Carts**- any Model
- **Retro Fit Front Covers** on Existing TECNI-QUIP Carts

Our **NEW** PT-Covers are designed with **ECONOMICAL** replaceable strips that any member of your linen services team can change-out when worn or torn. **SAVE \$\$\$** Eliminates buying a new cover when strips wear out or become missing

Hospital Tested - Strong – Dependable – Cost Effective

EZ to replace strips
 Individually Secured with custom fasteners
 Tough Durable – Tested in Hospitals



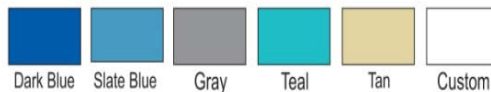
Above: Pass-Thru on Drape Cover
 (above) Additional \$ 75.00 to basic cover price .

Below: Standard with solid front vinyl cover closed over Pass –Thur Cover.

Above & Below: Front Cover with Transparent Pass-Thru Front and optional double cover system.



Cover Color Choices



Pass Thru: 8" Acrylic Strips – just the right weight .040
Strips Overlap Slightly



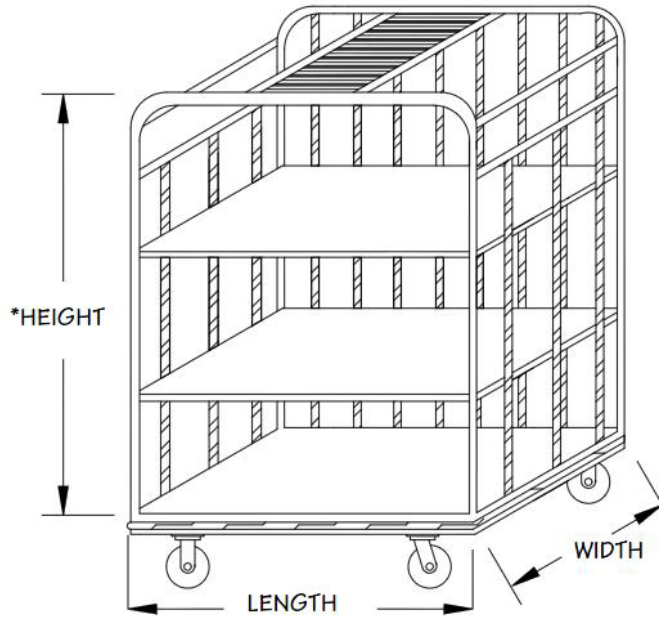
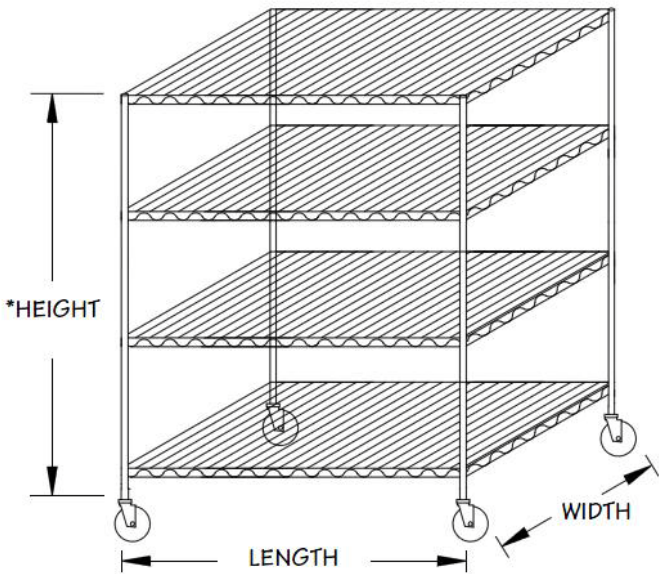
Fill out the reverse side of this form with the size of covers you require and fax or email back to us today!



PASS THRU COVERS & DOUBLE COVER SYSTEM

We perfected the idea!

- Available on **New** TECNI-QUIP Carts- any Model
- **Retro Fit Front Covers** on Existing TECNI-QUIP Carts- call for assistance



Cover Color Choices



*NOTE: COVER HEIGHT SHOULD BE FROM TOP OF CART TO TOP OF BASE, NOT TO THE FLOOR.

QUANTITY: _____ COLOR: _____ Velcro _____ Zipper _____

MEASUREMENTS: _____ WIDTH _____ LENGTH _____ HEIGHT

CORNERS: _____ SQUARE _____ ROUNDED

Choice of Style

Double Cover: _____
(Pass Thru & Vinyl Front on Drape Cover)

Pass-Thru Front Only _____
(on Drape Cover)

- EXTRAS: _____ TRANSPARENT FRONT
 _____ STENCIL
 _____ HAND HOLES (MARK LOCATIONS)
 _____ TRANSPARENT ROUTING OR INVENTORY POCKETS (9" x 12")
 _____ EXTERNAL POCKET FOR SOILED OR REJECT LINEN

Fax this form to: (830) 401-4400 or Email to: tgcarts@tqind.com

NAME: _____ Title/Dept. _____
 FACILITY: _____ City: _____ State: _____
 Telephone: () _____ Email: _____
 Fax: () _____