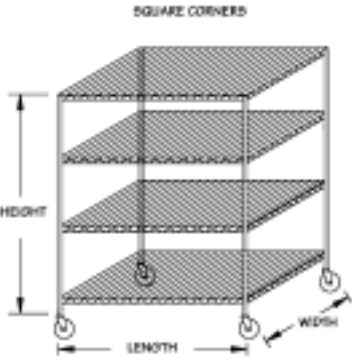


MEASUREMENT GUIDE FOR DRAPE COVERS & SMALL DRAPE COVERS BY TECNI-QUIP

PLEASE MAKE AS MANY COPIES OF THIS FORM AS NEEDED

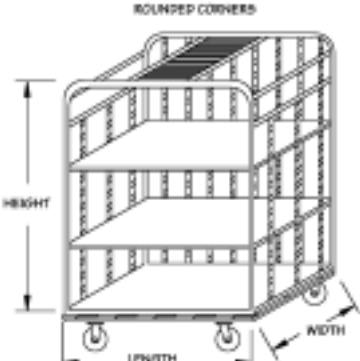


SQUARE CORNERS

DRAPE COVERS

Quantity: _____

Measurements: _____ W _____ L _____ H
(Height is from the BASE to top of the cart)



ROUNDED CORNERS

Corners: Square Rounded

Material Type: 16oz. Vinyl (Heavy Duty) 10oz. Vinyl Poly Denier

Closure: Zipper Velcro

Color 16oz. Vinyl:

Teal Slate Blue Gray Dark Blue Tan

Other Color preferred _____

Color 10oz. Vinyl:

Slate Blue Mauve Dark Blue Tan Green

Other Color preferred _____

Color Poly Denier:

Burgundy Tan Dark Blue Charcoal Grey

Other Color preferred _____

Please see **Options & Upgrade Page**

Transparent Front Only

Transparent Pass-Thru Front Combined w/Vinyl Front Cover

Handle Cut-Outs (Describe locations please)

Stenciling Your Wording:


Transparent routing or inventory pockets (9"x12" Standard) or your size requirement _____" x _____"

External pocket for soiled, reject linen or inventory forms

Transport Webbing

Comments/Special Request: _____

SMALL CART COVERS



Quantity: _____ Measurements: _____ W _____ L _____ H
(Height is from the top of BASE to top of the cart)

Material Type: 10oz. Vinyl Poly Denier **Closure:** Zipper Velcro

Color 10oz. Vinyl:

Slate Blue Mauve Dark Blue Tan Green Other Color preferred _____

Color Poly Denier:

Burgundy Tan Dark Blue Charcoal Grey Other Color preferred _____

Please see **Options & Upgrade Page**

Transparent Front Panel Stenciling: Wording _____

Transparent Pass-Thru Front Double Cover System

Transparent routing or inventory pockets (9"x12" Standard) or your size requirement _____" x _____"

Handle Cut-Outs: _____
Describe Location

Comments/Special Request: _____

Name _____ Title _____

Company/Facility _____

Address _____ City _____ State _____ Zip Code _____

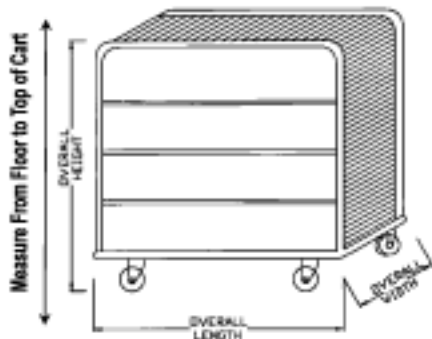
Phone Number _____ Fax Number _____ E-mail _____

PLEASE FAX OR E-MAIL THIS INFORMATION TO US • FAX: 830-401-0600 • E-MAIL: tqcarts@tqind.com

Tecni-Quip 960 Crossroads Blvd. • Seguin, Texas 78155 • Local & Int'l Ph: 830-401-4400
 Fax: 830-401-0600 www.tqind.com • TOLL FREE 800-826-1245

MEASUREMENT GUIDE FOR FRONT TYPE & BASKET COVERS BY TECNI-QUIP

PLEASE MAKE AS MANY COPIES OF THIS FORM AS NEEDED



FRONT COVERS

If you are measuring a **TECNI-QUIP** cart, please record the outside width, length and height.

When measuring **OTHER BRANDS** of carts please record the length and the height where the cover is to fit.

Quantity: _____

Measurements: _____ W _____ L _____ H (Height: See above explanation.)

Please see **Options & Upgrade Page**

Corners: Square Rounded

Material Type: 16oz. Vinyl (Heavy Duty) 10oz. Vinyl Transparent Front ONLY

Closure: Zipper Velcro

Color 16oz. Vinyl:
 Teal Slate Blue Gray Dark Blue Tan
 Other Color preferred _____

Color 10oz. Vinyl:
 Slate Blue Mauve Dark Blue Tan Green
 Other Color preferred _____

Color Poly Denier:
 Burgundy Tan Dark Blue Charcoal Grey
 Other Color preferred _____

Pass-Thru Transparent Front ONLY
 Double Cover System: Pass-Thru Combined with Vinyl Front Cover in Choice of Color
 Handle Cut-Outs (Describe locations please) _____

Stenciling Your Wording: _____

Transparent routing or inventory pockets (9"x12" Standard) or your size requirement _____" x _____"

External pocket for soiled, reject linen or inventory forms

Transport Webbing

Comments/Special Request: _____

BASKET COVERS

Basket Covers Standard with: Choice of 10 oz Vinyl or Poly Denier. Cover will be constructed with 12" drop from the cart's lip with bungee to secure to the cart and tighten slightly.



Optional: Longer Drop Length at No additional cost. When choosing this option, indicate if you need bungee with the longer length.

Quantity: _____

Measurements: _____ W _____ L _____ Drop Length Optional

Color 10oz. Vinyl:

Slate Blue Mauve Dark Blue Tan Green
 Other Color preferred _____

Color Poly Denier:

Burgundy Tan Dark Blue Charcoal Grey
 Other Color preferred _____

Stenciling Your Wording: _____

Comments/Special Request: _____

Name _____ Title _____

Company/Facility _____

Address _____ City _____ State _____ Zip Code _____

Phone Number _____ Fax Number _____ E-mail _____

PLEASE FAX OR E-MAIL THIS INFORMATION TO US • FAX: 830-401-0600 • E-MAIL: tqcarts@tqind.com

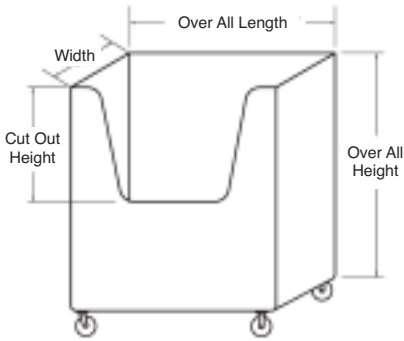


960 Crossroads Blvd. • Seguin, Texas 78155 • Local & Int'l Ph: 830-401-4400

Fax: 830-401-0600 www.tqind.com • TOLL FREE 800-826-1245

MEASUREMENT GUIDE FOR BULK & TURN-ABOUT "ROUNDTRIPPER" CART COVERS

PLEASE MAKE AS MANY COPIES OF THIS FORM AS NEEDED



BULK COVERS

Quantity: _____

Measurements: _____ W _____ L _____ H (Height of cover should exceed Cut-Out by 2"-3")

Material Type: 16oz. Vinyl (Heavy Duty) 10oz. Vinyl Poly Denier

Please see **Options & Upgrade Page**

Handle Cut-Outs (Describe locations please)

Color 10oz. Vinyl:

Slate Blue Mauve Dark Blue Tan Green
 Other Color preferred _____

Stenciling Your Wording:

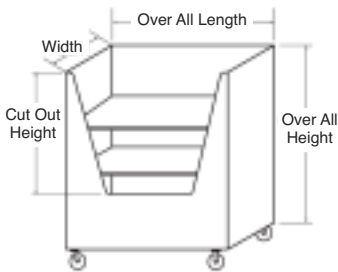
Transparent routing or inventory pockets (9"x12" Standard) or your size requirement _____" x _____"

Color Poly Denier:

Burgundy Tan Dark Blue Charcoal Grey
 Other Color preferred _____

External pocket for soiled, reject linen or inventory forms

Comments/Special Request: _____



TURN-ABOUT - ROUNDTRIPPER COV-

Quantity: _____

Measurements: _____ W _____ L _____ H (Height of cover should exceed Cut-Out by 2"-3")

Please see **Options & Upgrade Page**

Handle Cut-Outs (Describe locations please)

Stenciling Your Wording:

Material Type: 16oz. Vinyl (Heavy Duty) 10oz. Vinyl Poly Denier

Color 10oz. Vinyl:

Slate Blue Mauve Dark Blue Tan Green
 Other Color preferred _____

Transparent routing or inventory pockets (9"x12" Standard) or your size requirement _____" x _____"

Color Poly Denier:

Burgundy Tan Dark Blue Charcoal Grey
 Other Color preferred _____

External pocket for soiled, reject linen or inventory forms

Comments/Special Requests: _____

Name _____ Title _____

Company/Facility _____

Address _____ City _____ State _____ Zip Code _____

Phone Number _____ Fax Number _____ E-mail _____

PLEASE FAX OR E-MAIL THIS INFORMATION TO US • FAX: 830-401-0600 • E-MAIL: tqcarts@tqind.com



960 Crossroads Blvd. • Seguin, Texas 78155 • Local & Int'l Ph: 830-401-4400

Fax: 830-401-0600 www.tqind.com • TOLL FREE 800-826-1245

Form: BTC-15