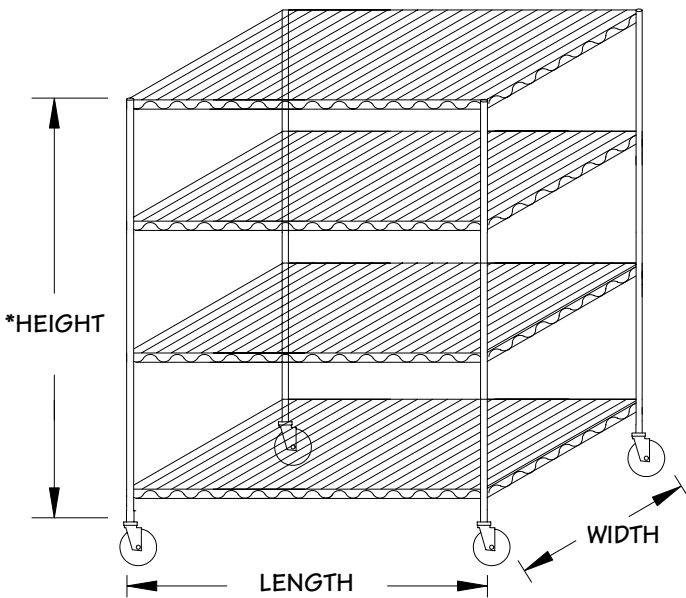
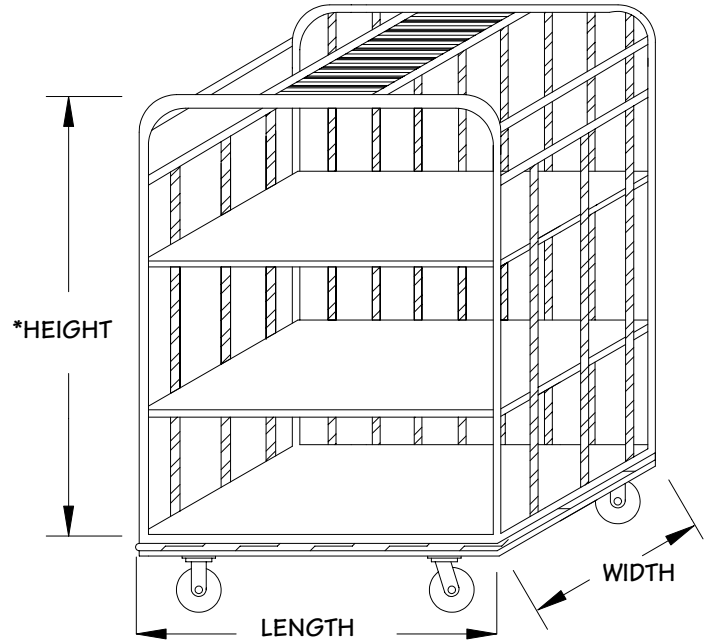


# CART COVER ORDER FORM

SQUARE CORNERS



ROUNDED CORNERS



\*NOTE: COVER HEIGHT SHOULD BE FROM TOP OF CART TO TOP OF BASE, NOT TO THE FLOOR.

QUANTITY: \_\_\_\_\_

MEASUREMENTS: \_\_\_\_\_ WIDTH \_\_\_\_\_ LENGTH \_\_\_\_\_ HEIGHT

CORNERS: \_\_\_\_\_ SQUARE \_\_\_\_\_ ROUNDED

MATERIAL: \_\_\_\_\_ RIP CORD (200 Denier) \_\_\_\_\_ 16 oz Vinyl (Heavy Duty)

CLOSURE: \_\_\_\_\_ VELCRO \_\_\_\_\_ ZIPPER

COLOR: AQUA \_\_\_ SLATE BLUE \_\_\_ MAUVE \_\_\_ DARK BLUE \_\_\_ BEIGE \_\_\_ OTHER \_\_\_\_\_

EXTRAS: \_\_\_ TRANSPARENT FRONT

\_\_\_ STENCIL

\_\_\_ HAND HOLES (MARK LOCATIONS)

\_\_\_ TRANSPARENT ROUTING OR INVENTORY POCKETS (9" x 12")

\_\_\_ EXTERNAL POCKET FOR SOILED OR REJECT LINEN



**TECNI-QUIP**

Toll free (800) 826-1245

Fax: (830) 401-0600

Web: [www.tqind.com](http://www.tqind.com)