

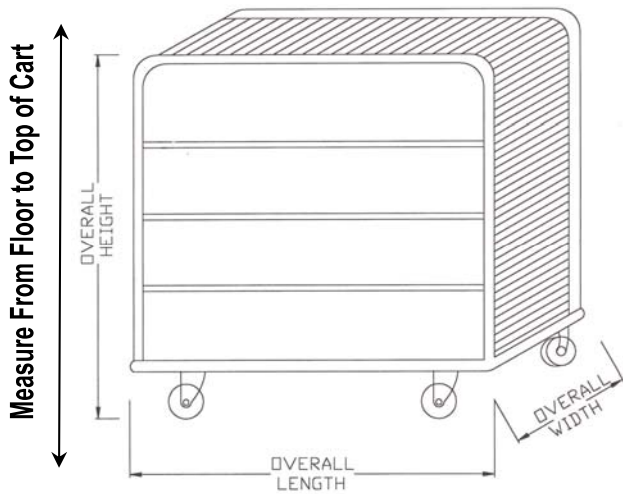
# MEASUREMENT GUIDE FOR FRONT COVERS

Please copy as many of this form as you require

## FRONT COVERS

If you are measuring a **TECNI-QUIP** cart, please record the outside width, length and height (height is from the floor to the top of the cart). Front covers can be made for Tecni-Quip Aluminum or Fiberglass carts.

When measuring **OTHER BRANDS** of carts please record the length and the height where the cover is to fit.



## Front Covers Measurement

Qty. \_\_\_\_\_

Measurements

\_\_\_\_\_ W \_\_\_\_\_ L \_\_\_\_\_ H  
(Height is from the floor to the top of the cart)

Corners: \_\_\_\_\_ Square \_\_\_\_\_ Rounded

Material: \_\_\_\_\_ 16oz. \_\_\_\_\_ Rip Cord

Closure: \_\_\_\_\_ Zipper \_\_\_\_\_ Velcro

Color: \_\_\_\_\_

## COMMENTS:

---

---

---



**TECNI-QUIP** Toll free (800) 826-1245 Fax: (830) 401-0600 Web: [www.tqind.com](http://www.tqind.com)